



TOOLBOX COVER INSTRUCTIONS

(This cover fits most 20" to 21" over the rail tool boxes)

READ THIS BEFORE STARTING INSTALLATION

NOTE:

A) If tool box is already installed, measure its location. If not installed per measurements in Step 1, IT WILL NEED TO BE RELOCATED.

REMEMBER TO USE PROTECTIVE EYEWEAR

STEP 1 - Set tool box 20" to 21" from inside edge of box bulk head. (See Illus. 1) Use weather seal to seal gap at front between tool box and bulk head. NOTE: If gap is too large for weather seal, use alternative filler materials (not supplied with kit).

STEP 2 - a) Align toolbox header bar flush with top of pickup box. (See Illus. 2. a)
b) Push it tight against wall of tool box, applying enough pressure to compress rubber seal against wall of tool box. (See Illus. 2.b) Hold it there and clamp tight with clamps.

STEP 3 - Set side rail in place allowing 1/4" clearance from inside of tail gate. Allow front edge of side rail to butt up against header bar or, if needed, to overlap on top of header bar. Then clamp rail in place. (See Illus. 3 and refer to instructions in owner's manual.)

STEP 4 - At header bar, clean top surface with alcohol pad provided. Peel backing from "L" weather seal and adhere it to top of header bar against front of side rails from end to end. (See Step 4 in Illus. 2) Use instructions in owner's manual for remaining cover installation.

Installation tip: For best protection, use silicone seal at front of rail and header bar along side of box (not supplied with kit).

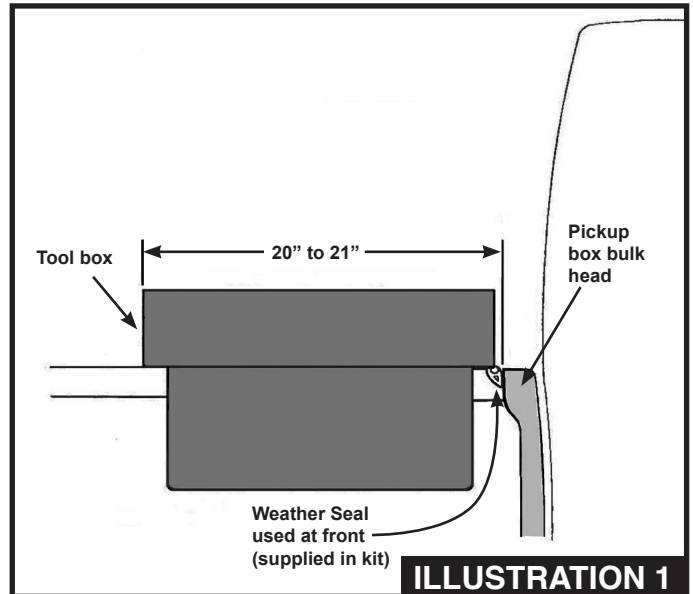


ILLUSTRATION 1

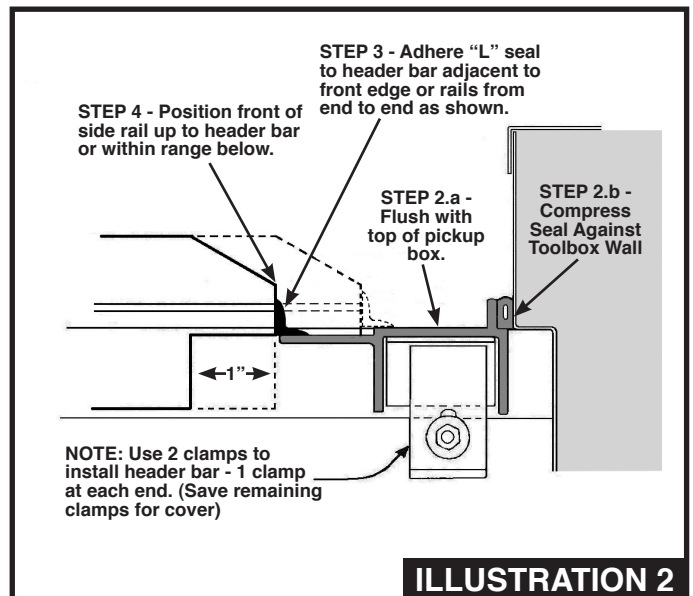


ILLUSTRATION 2

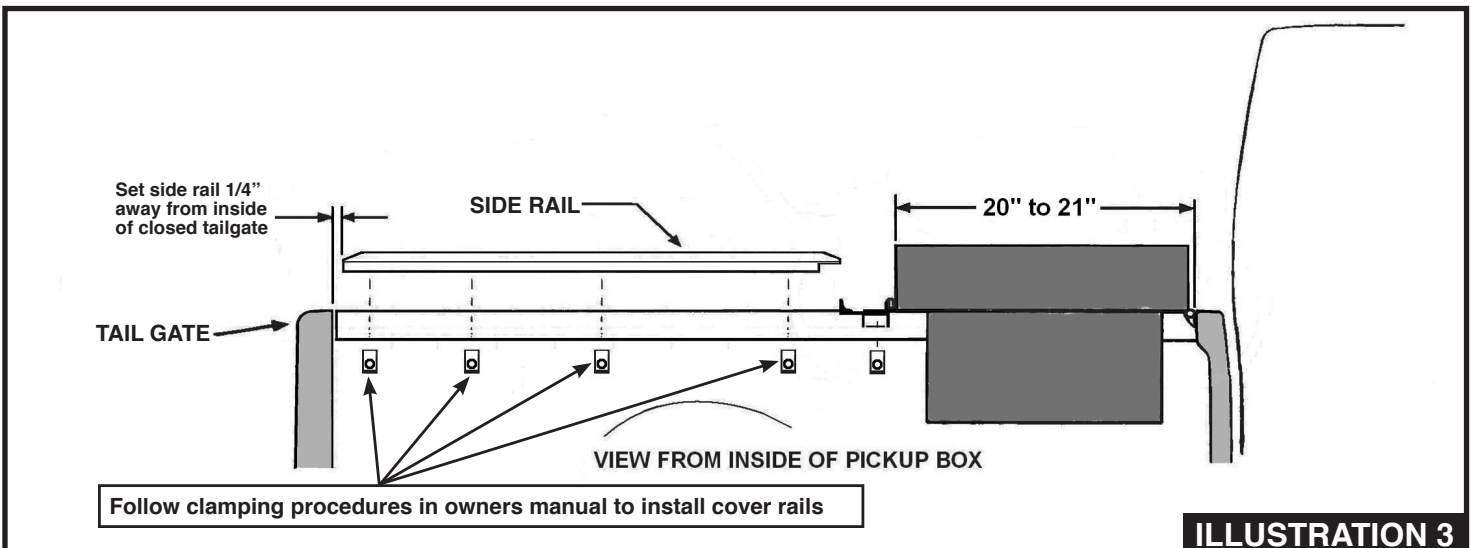


ILLUSTRATION 3