

NISSAN FRONTIER SLIDING BED EXTENDER KIT #40575 (INSTRUCTIONS)

The installation of this kit allows the bed extender to function with the roll-up cover kits #317 and #318

TOOLS NEEDED:

- a) #5 mm allen wrench
- b) #13 mm socket wrench
- c) T-20 torx wrench
- d) protective eyewear

- 1** Remove bed extender from cage from carriage brackets. Measure and record width of cage. Use #20 Torx to loosen retainer clips on tubes and pry loose. Then slide telescopic tubes together- **to make extender narrower by 4 inches** -from original width. Retighten torx bolts and set unit off to side.

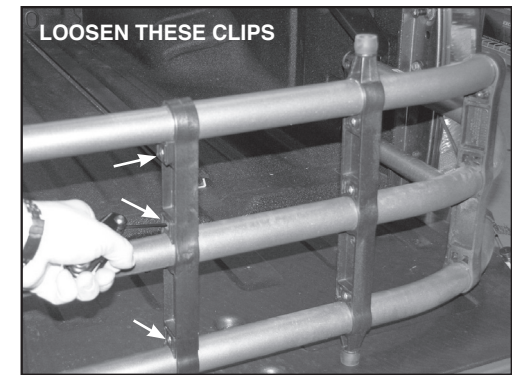


ILLUSTRATION 1

- 2** Remove carriage bracket by loosening thumbwheel and sliding to front of box until assembly comes out of track system.

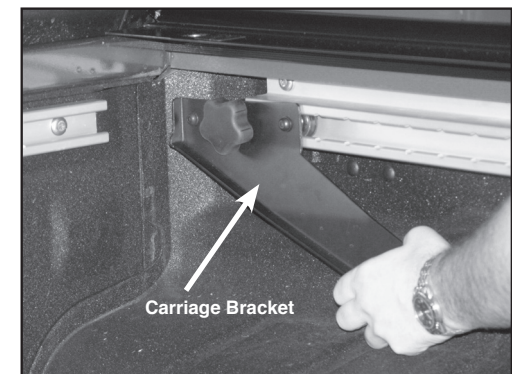


ILLUSTRATION 2

- 3** Disassemble carriage bracket hardware and save existing pieces - **except Carriage Slide Block with short bolt** -for reassembly as per diagram in Illustration 3. Insert new long bolt with lock washer into new metal slide block and **tighten with jam nut**. Then use new pieces with existing pieces and reassemble with 2 inch spacer tube as shown. Tape spacer tube end plugs in place. Repeat procedure for carriage bracket on other side.

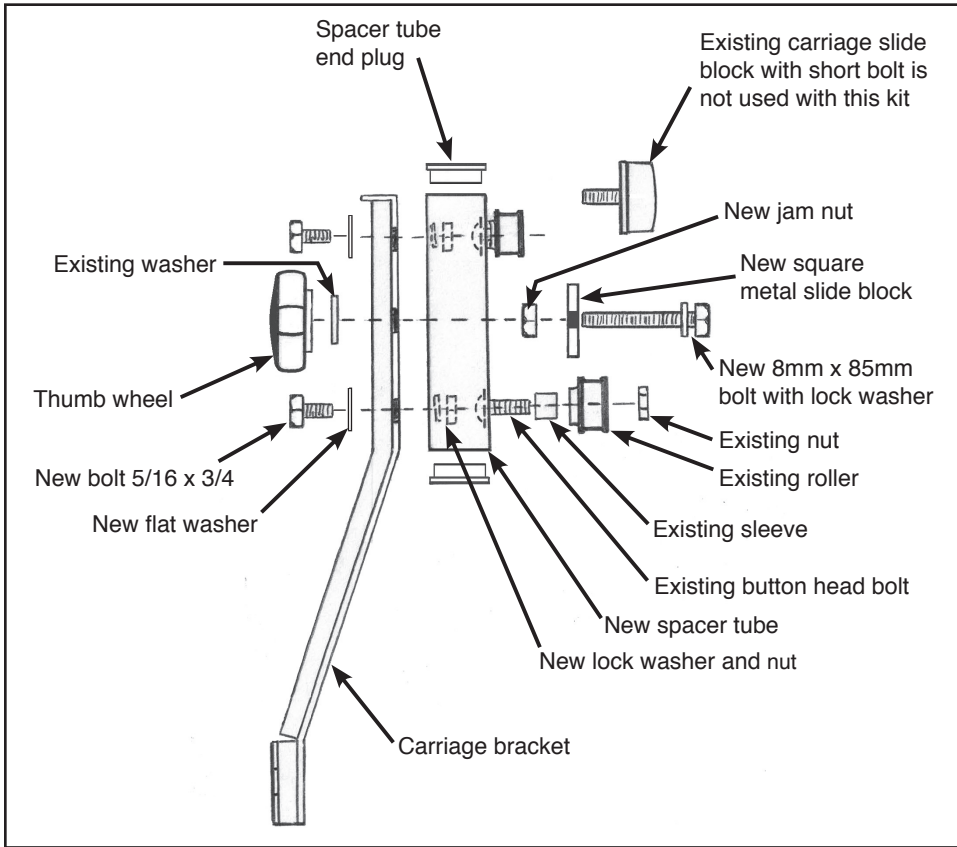


ILLUSTRATION 3 - TOP VIEW OF CARRIAGE BRACKET (PASSENGER SIDE)

- 4** Replace both carriage brackets at front of box and slide to rear. Mount bed extender to brackets. Make sure the stop block at rear of track is tight to prevent bed extender from sliding too far back.

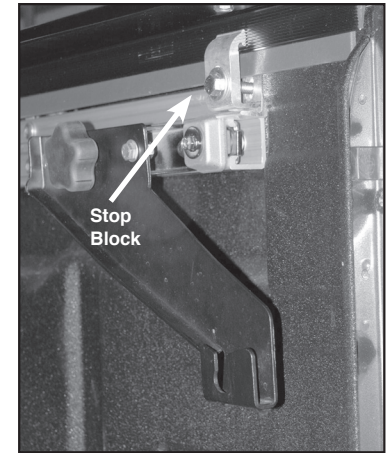


ILLUSTRATION 4

- 5** Rotate bed extender to set on tailgate and adjust length of safety straps to fit tailgate latch. Check bed extender for proper operation and check all bolts to ensure they are tight.

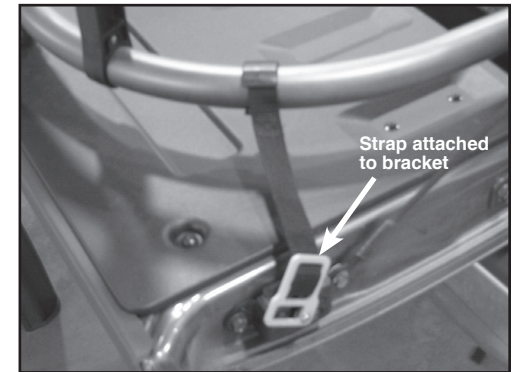


ILLUSTRATION 5