

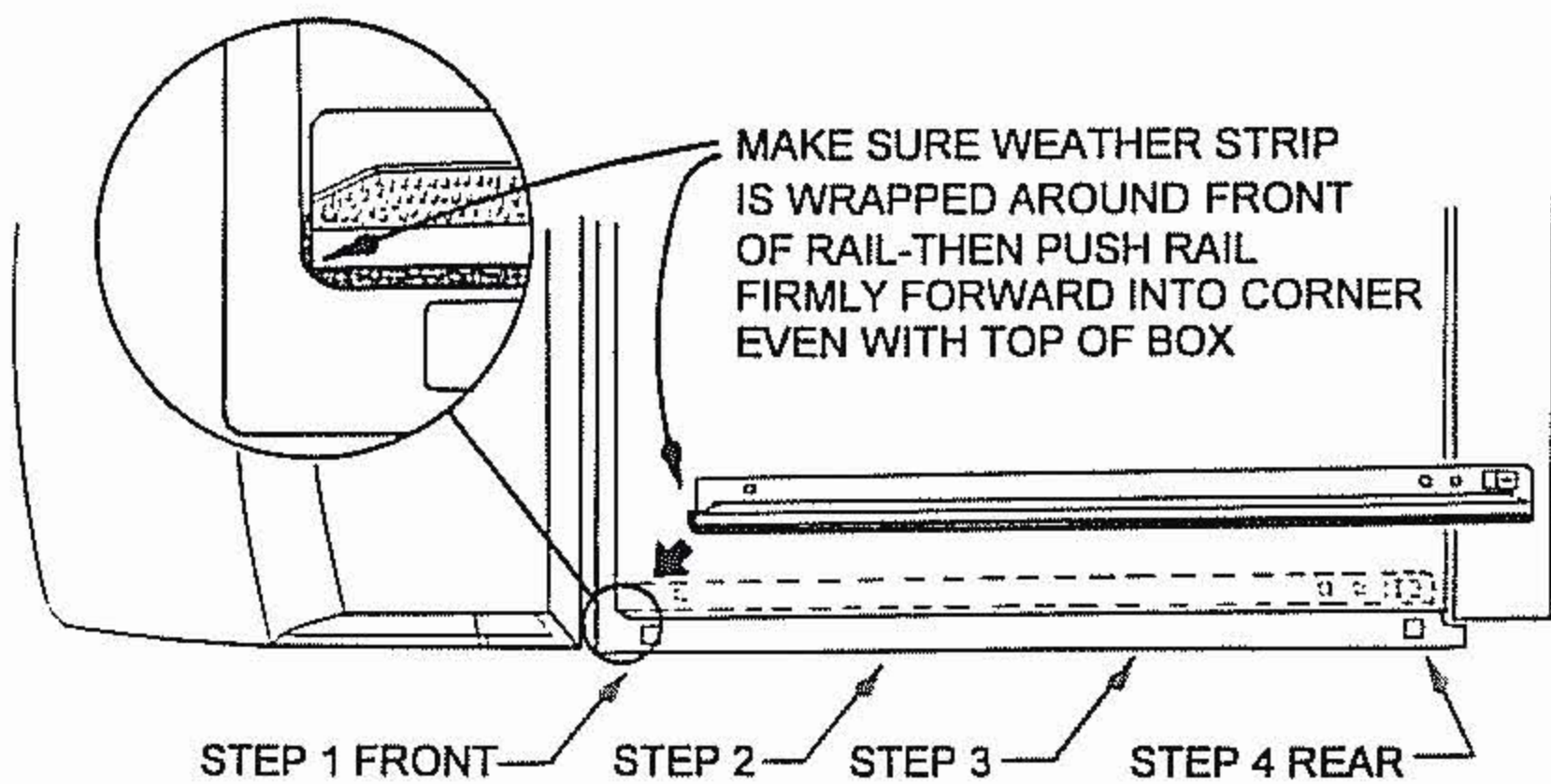
# SUPPLEMENTAL INSTRUCTIONS FOR KIT #221

## 2001-05 CHEVY COMPOSITE SHORT BOX

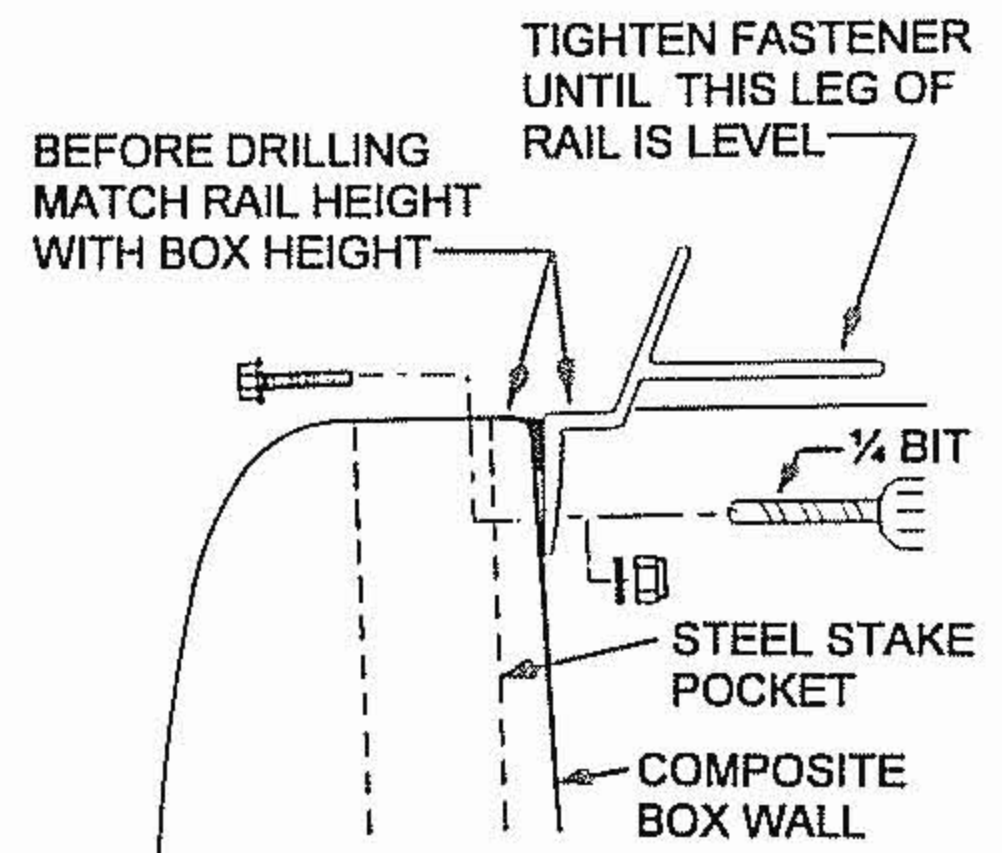
**NOTE:** Before installing this product, make sure truck has composite walls inside box-no inside lip to clamp to.

**THIS IS A BOLT ON SIDE RAIL APPLICATION REQUIRING TWO PEOPLE. PLEASE READ AND FOLLOW THE STEPS BELOW. AFTER RAILS ARE INSTALLED FOLLOW OWNERS MANUAL FOR ALL REMAINING INSTALLATION STEPS.**

**\*ACTUAL SHAPE OF SIDE RAILS MAY VARY\***



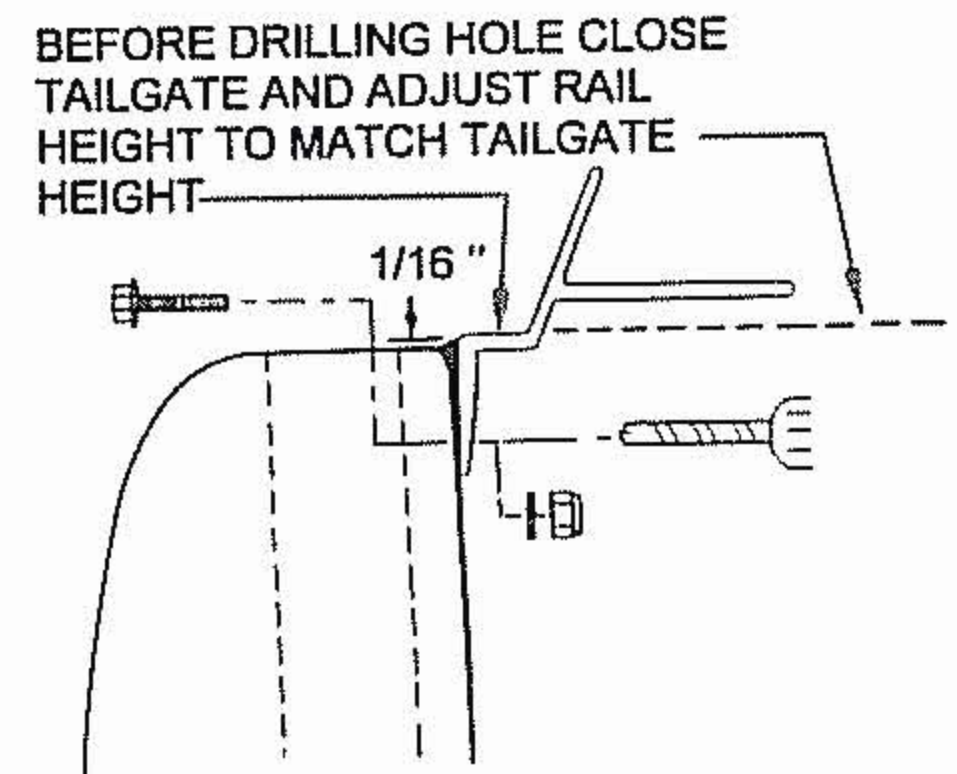
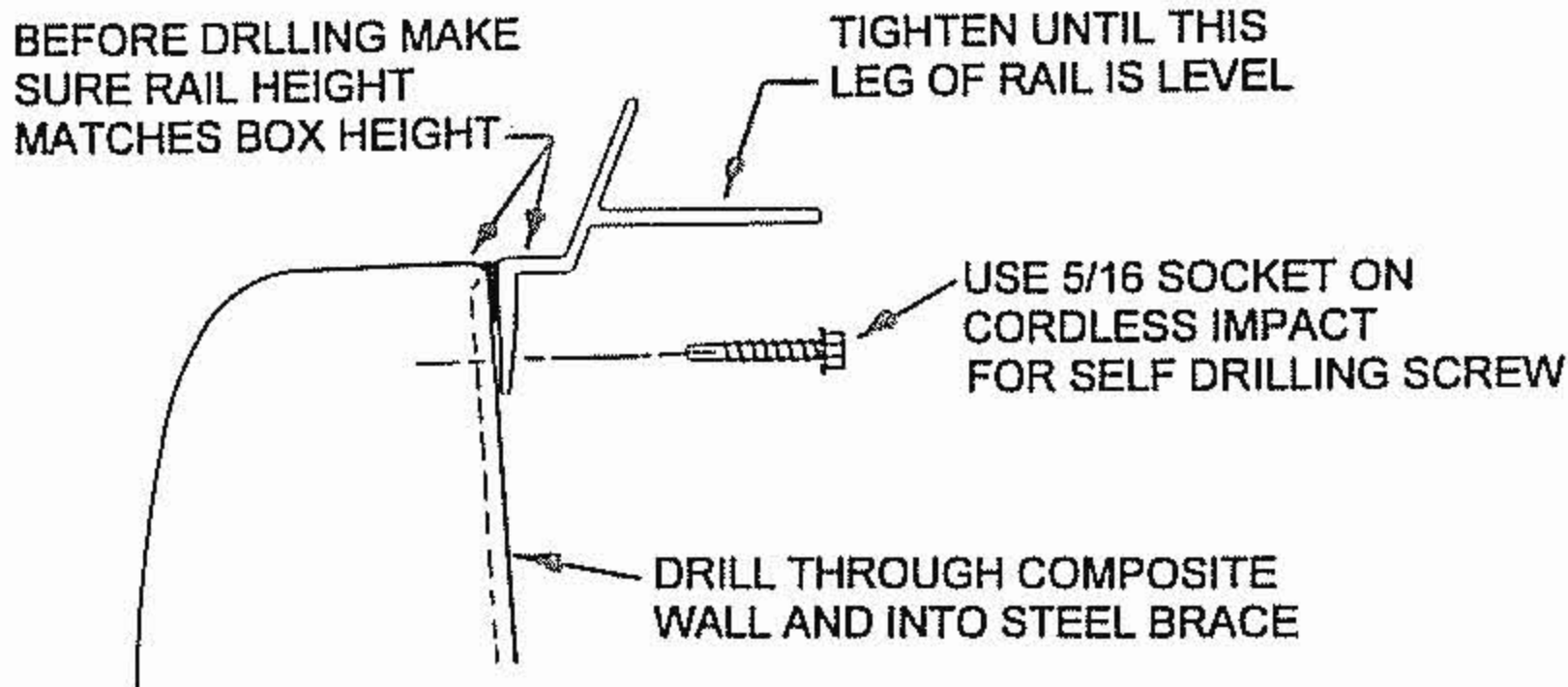
**TOOLS:**  
 CORDLESS IMPACT WITH 5/16 SOCKET  
 DRILL WITH 1/4 BIT  
 WRENCH 5/16  
 RATCHET WITH 7/16 SOCKET  
 PROTECTIVE EYE WEAR



### TOP VIEW OF COMPOSITE BOX

MAKE SURE RAIL IS PUSHED FORWARD AGAINST FRONT OF BOX AND ALIGNED AS SHOWN IN FOLLOWING STEPS. USE PREPUNCHED HOLES IN RAIL AS GUIDE FOR DRILLING LOCATIONS. BEGIN AT FRONT AND WORK TO THE REAR.

**STEP 1 AT FRONT STAKE POCKET**  
 WITH RAIL IN POSITION AS SHOWN ABOVE, DRILL 1/4" DIA. HOLE THROUGH COMPOSITE AND STEEL STAKE POCKET. USE BOLT, WASHER AND LOCK NUT TO FASTEN TIGHT. (BOLT HEAD=5/16 WRENCH) (NUT=7/16 SOCKET W/WRATCHET)



**STEP 2 AND 3 BETWEEN STAKE POCKETS**  
 AT SECOND PREPUNCHED HOLE, HOLD RAIL EVEN WITH TOP OF BOX. TURN SELF DRILLING SCREW THROUGH WALL AND INTO STEEL BRACE. TO AVOID STRIPPING SCREW THREADS STOP POWER TOOL WHEN THROUGH STEEL AND FINISH TIGHTENING WITH HAND TOOL. REPEAT THIS PROCEDURE AT THIRD HOLE.

**STEP 4 AT REAR STAKE POCKET**  
 ALIGN RAIL HEIGHT WITH TAILGATE. DRILL 1/4 DIA. HOLE INTO COMPOSITE WALL AND STAKE POCKET. USE BOLT, WASHER AND LOCKNUT TO FASTEN. FOR REMAINING INSTALLATION FOLLOW OWNERS MANUAL.