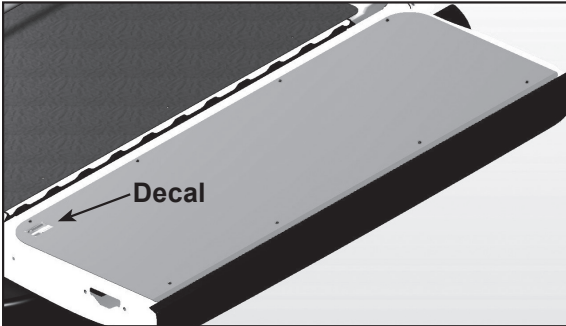


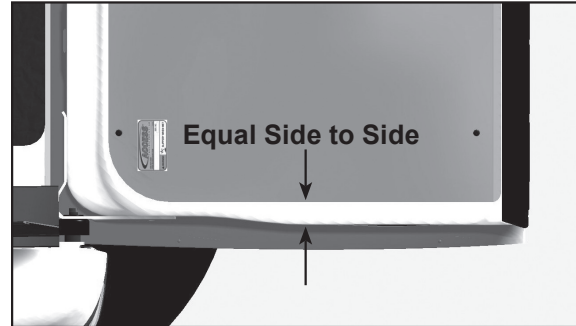


# INSTALLATION INSTRUCTIONS FOR TAILGATE PROTECTOR

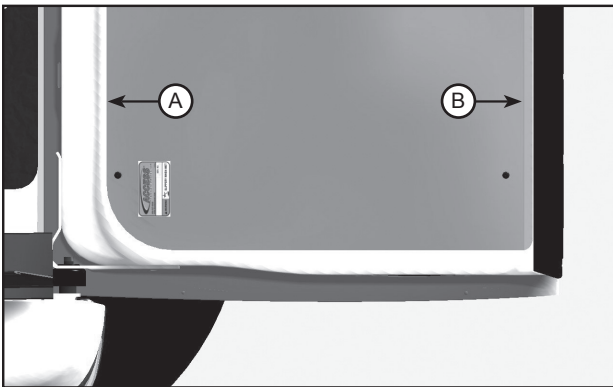
Tools Needed: Protective Eyewear and Drill with #3 Phillips Drive Bit



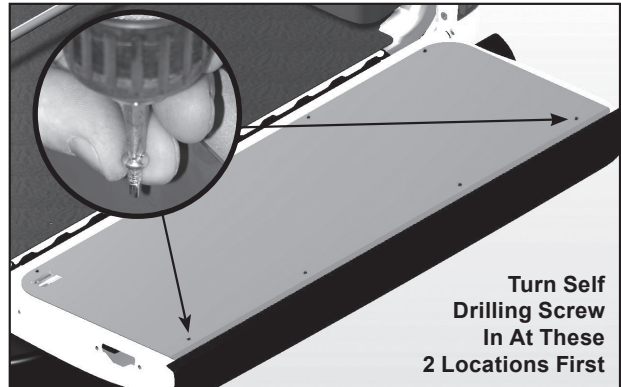
**1** Lay the protector plate on the tailgate with the decal on the driver side as shown.



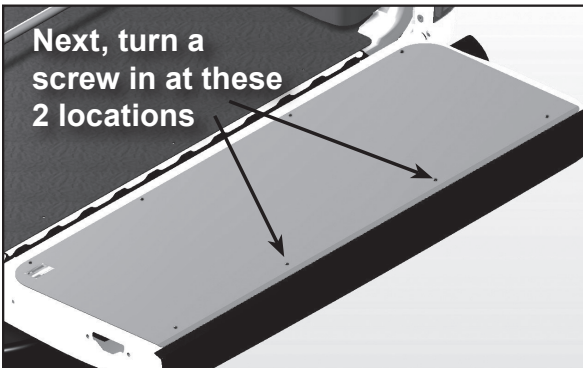
**2** Adjust the distance equally from side to side, next adjust the tailgate protector from front to back to ensure all screws will attach to a flat surface.



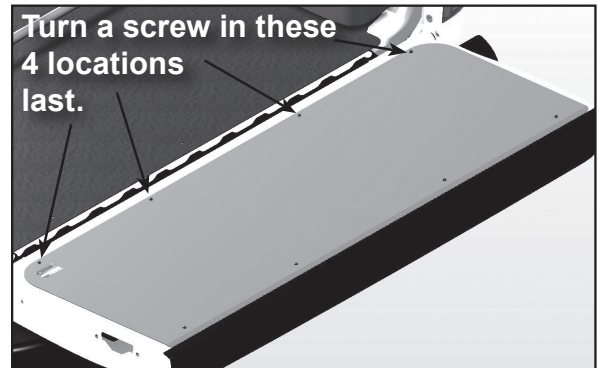
**3** Edge "A" of Tailgate Protector should not hang over raised portion of tailgate. Edge "B" of Tailgate Protector does not necessarily need to rest against tailgate cap.



**4** Start and turn a self drilling screw in at each of the two outside corner locations first. **Use care when turning the screws tight to avoid stripping the threads.**



**5** Next, turn a self drilling screw into both interior locations.



**6** Turn a self drilling screw in at four remaining locations.