

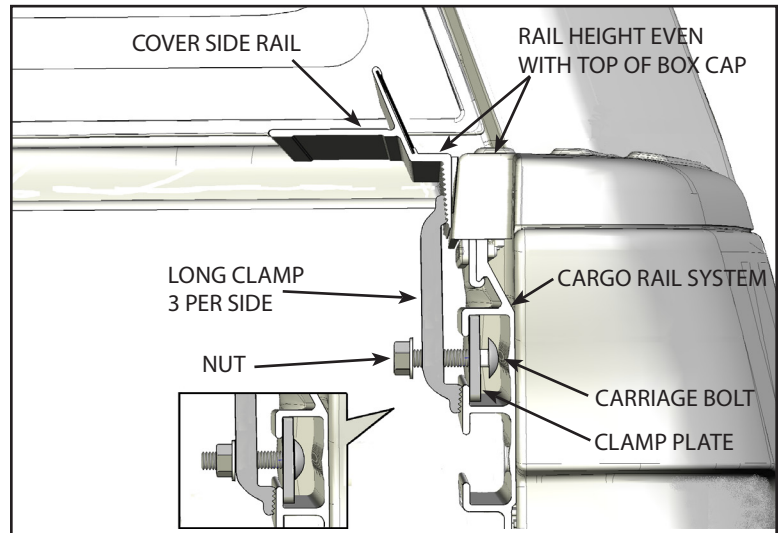


COVER SIDE RAIL CLAMPING INSTRUCTIONS

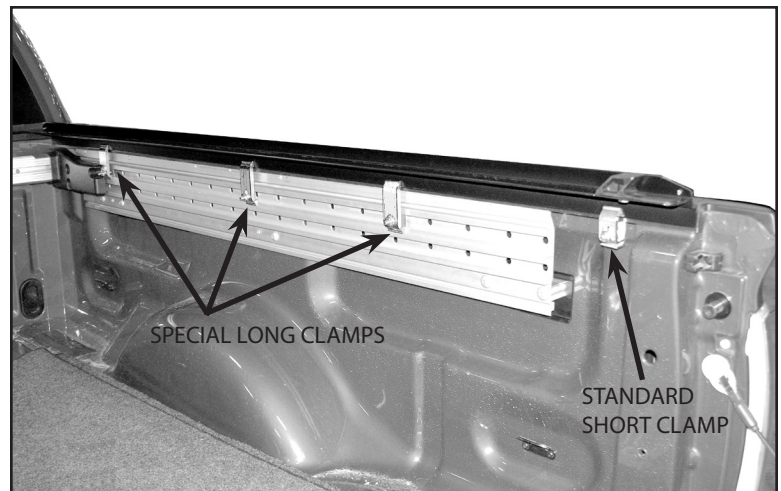
FOR 08- and NEWER FORD F150 WITH CARGO RAIL KIT

NOTE TO INSTALLER: Use these instructions in addition to those in Owner's Manual with roll up cover kit. Shape of cover rail may vary from illustrations shown.

1 Assemble 3 long clamps with carriage bolt, clamp plate, and flange nut for each side of box. Then orientate and insert them in cargo rail as shown. (The 2 short clamps are used at rear)



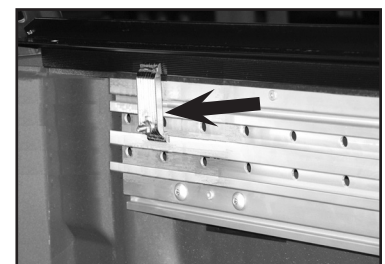
2 Position cover side rail according to instructions in owner's manual and diagrams here. Space each long clamp as shown and turn nuts snug tight for now.



3 At front, locate clamp as far forward as possible next to header cross bar, or if no header cross bar, up near end of cargo rail.



WITH HEADER BAR



WITHOUT HEADER BAR

4 At rear of cover rail, install 1 short clamp. Follow owners manual for this clamp and cover rail adjustment at rear for tailgate clearance. Then tighten the short clamp and all long clamps. Repeat procedure for cover rail on opposite side. Refer to cover owner's manual for remaining installation.